

Sureflow



- Solvent cement straight onto pipe
- Compatible with torch on membranes
- Interchangeable dome and rings
- New squat, compact base flange
- Ring & dome UV resistant ASA
- Base manufactured from PVC
- 4 x stainless steel self tapping screws
- 80, 100 & 150mm pipe spigot outlets
- Proudly made in New Zealand

Installation



Step One

Cut recess into substrate, allowing for body and flange edge.

Step Two

Fix spigot into PVC drain pipe. Fasten flange to substrate with screws or adhesive/sealant.

Step Three

Lay membrane and dress into the throat of the flange.

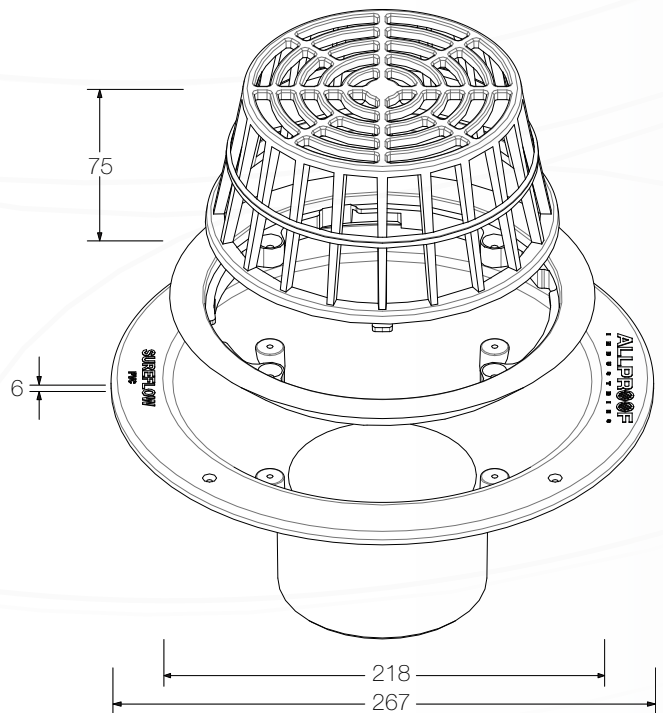
Step Four

Place ring into place and clamp down membrane by tightening screws into base.

Step Five

Install dome grate to finish installation of Sureflow.

Details



Code	Description
Sureflow80	80mm Membrane Clamp Roof Drain
Sureflow100	100mm Membrane Clamp Roof Drain
Sureflow150	150mm Membrane Clamp Roof Drain