

# ALLPROOF INDUSTRIES

## Flat Roof/Gutter Clamp Ring Drain

### Membrane Finish Roof Outlet

#### Features

- Bronze base flange fits inside pipe riser with o-ring seal
- Waterproofing membrane clamped using 3 x stainless screws and clamp ring
- Removable grate for easy down-pipe access without disturbing membrane
- Clamp Ring/Grate feature a flush finish with membrane
- Suit pipe size 80mm, 100mm and 150mm
- Ring/Grate Finish Options: Cast bronze, dome or flat grate options
- Independent Flow Rate Tested by BRANZ



#### Product Code Guide

**FLAT GRATE:**  
168.PIPESIZE FCR



**DOMED GRATE:**  
168.PIPESIZE DRGR

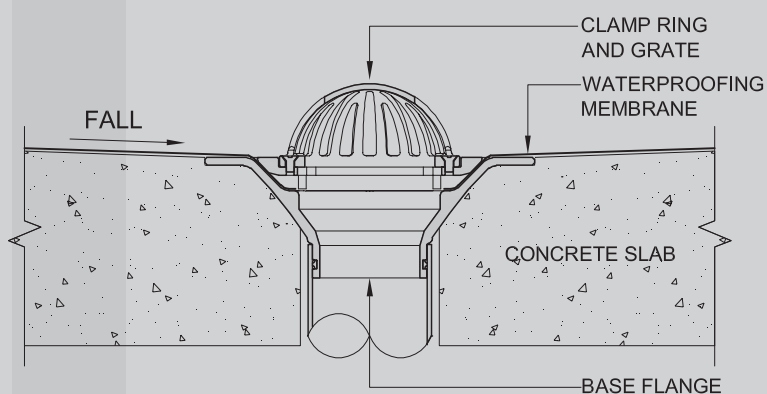


**SML DIA DOMED GRATE:**  
168.PIPESIZE DCR

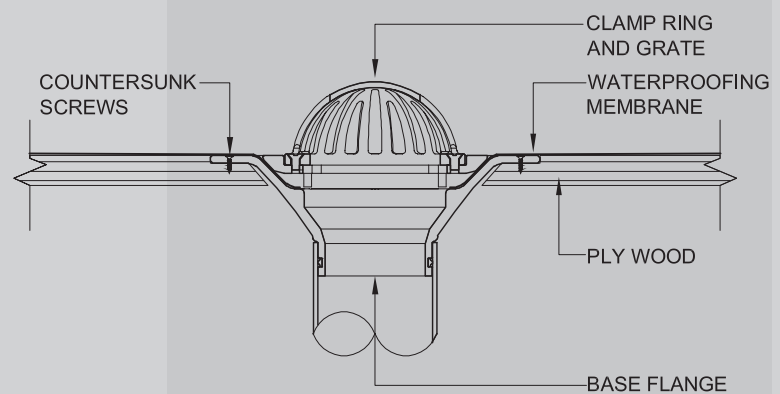


#### Typical Installation Details

##### 01. Concrete Slab



##### 02. Plywood



**ALLPROOF**  
INDUSTRIES