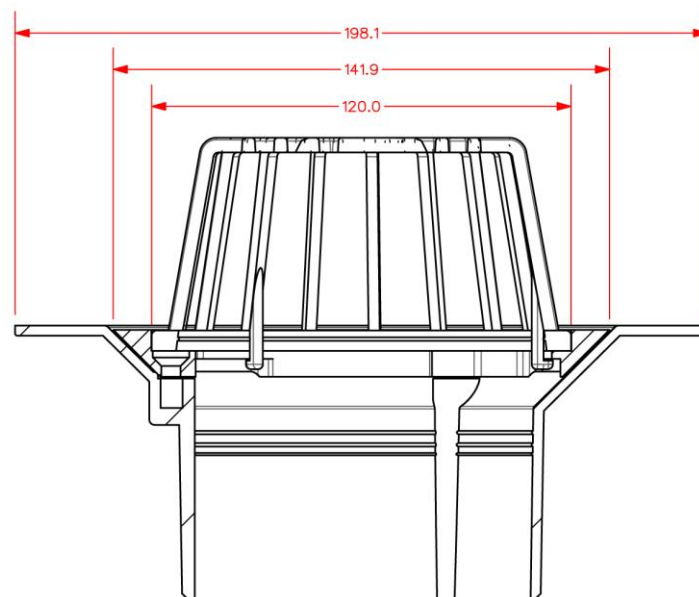
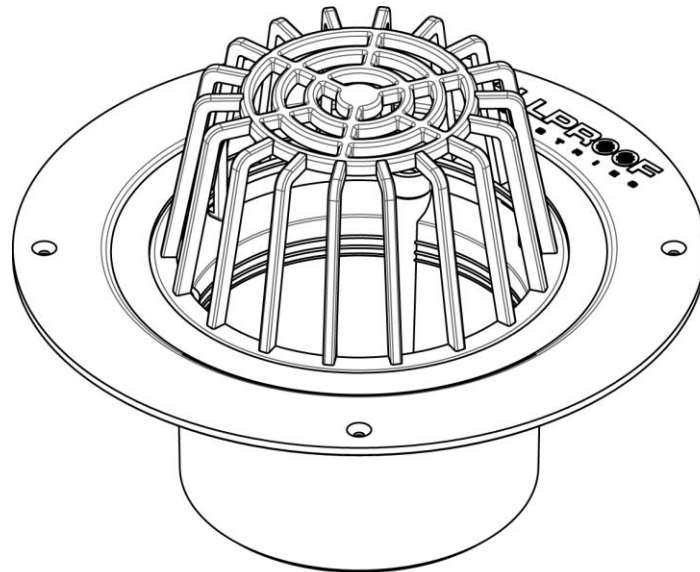


ALLPROOF INDUSTRIES 100MM VINYLRITE DOME OVERFLOW PLASTIC

Black Plastic Clamp Ring and Dome on PVC Vinylrite Flange

Specification Code	Description	Standard Finish
VR100DOMEPLAS	100mm Vinylrite Dome Black Plastic	Black Plastic



Due to Allproof Industries ongoing product development program product designs may be changed without notice