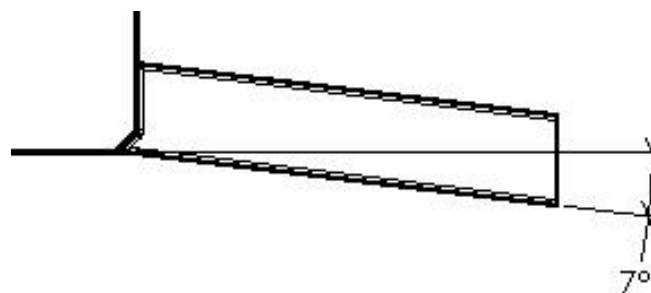
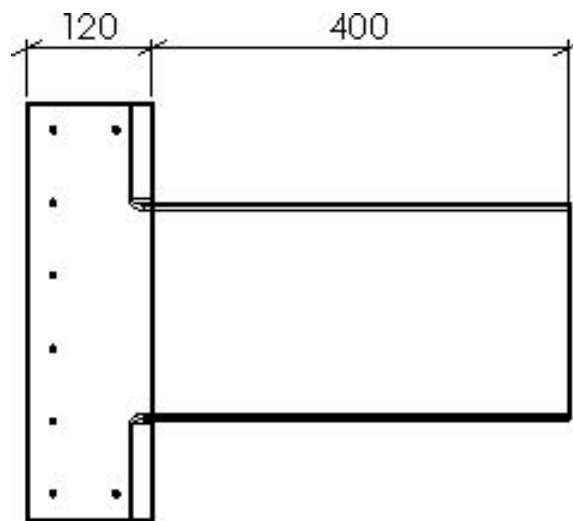
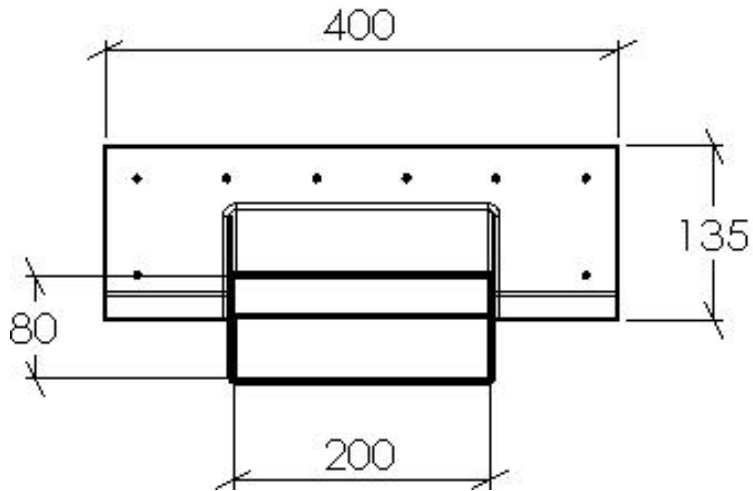


ALLPROOF INDUSTRIES SCUPPER 200 ROOF DRAIN 200MM SCUPPER

Specification Code	Description	Standard Finish
Scup 200	200mm x 75mm Scupper	Poly Ethylene



Due to Allproof Industries ongoing product development program product designs may be changed without notice