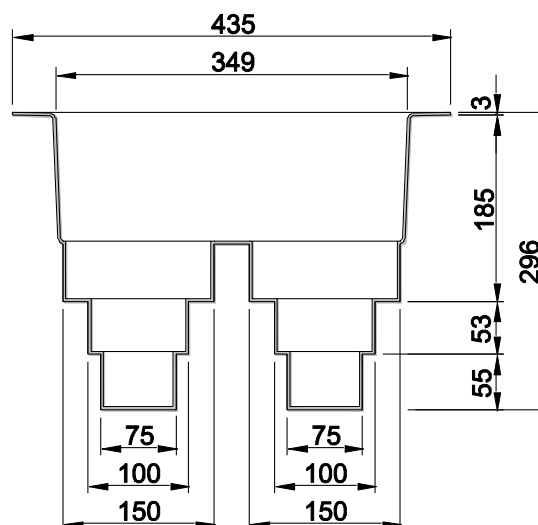
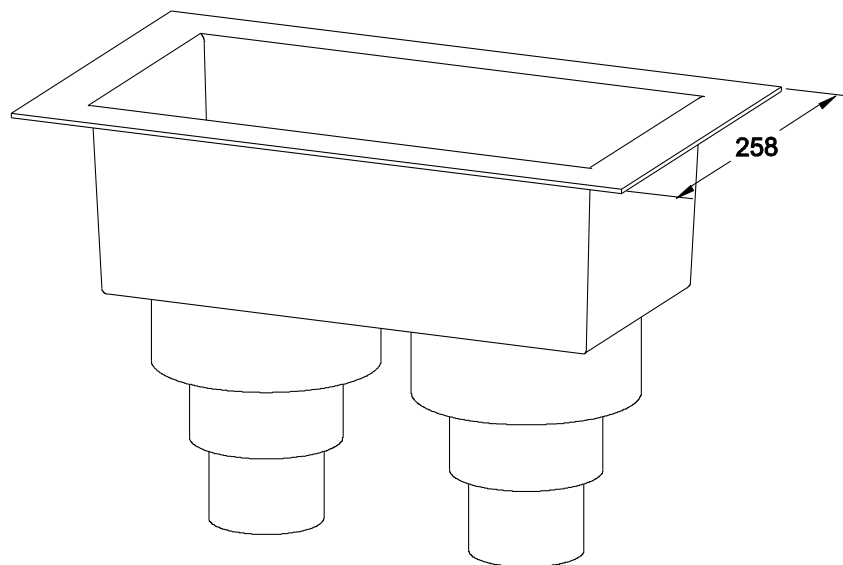


ALLPROOF INDUSTRIES RAIN WATER SUMP 80-150MM MEMBRANE FINISH RAIN WATER HEAD WITH INTEGRAL OVERFLOW

FEATURES:

- Durable plastic to suit 80mm, 100mm and 150mm pipe sizes
- Rainwater sump incorporates flange for fixing in gutter and membrane adhesion
- Simply cut outlet dropper to suit pipe size required
- Integral overflow with riser allows primary drain and overflow in one fitting
- Easy installation for builders – simply cut hole for fitting and rebate flange area to sit flush in gutter
- 125mm depth of fitting helps drainage capacity by providing a head of water in heavy down pours

Specification Code	Description	Standard Finish
RWS80-150	80mm-150mm plastic rainwater sump with integral overflow	Black plastic with overflow riser



Due to Allproof Industries ongoing product development program product designs may be changed without notice