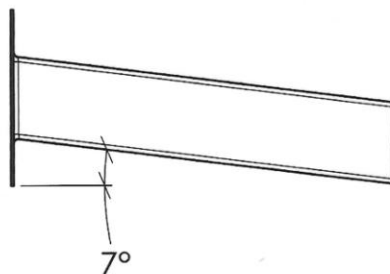
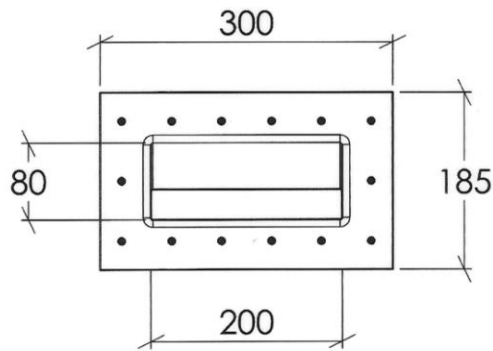
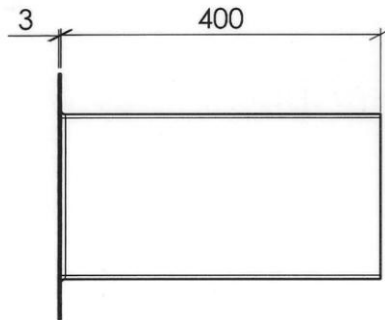
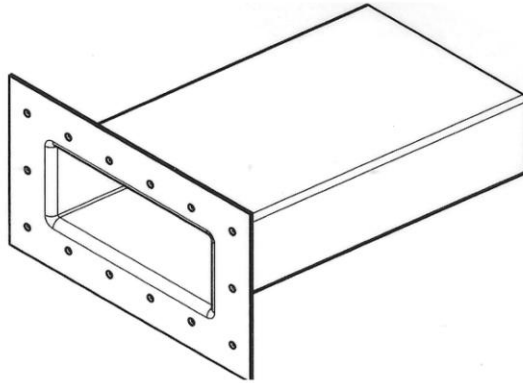


**ALLPROOF INDUSTRIES OVERFLOW 200 ROOF DRAIN  
200MM SCUPPER OVERFLOW**

Specification Code	Description	Standard Finish
OFLOW 200	200mm x 75mm Overflow	Poly Ethylene



Due to Allproof Industries ongoing product development program product designs may be changed without notice