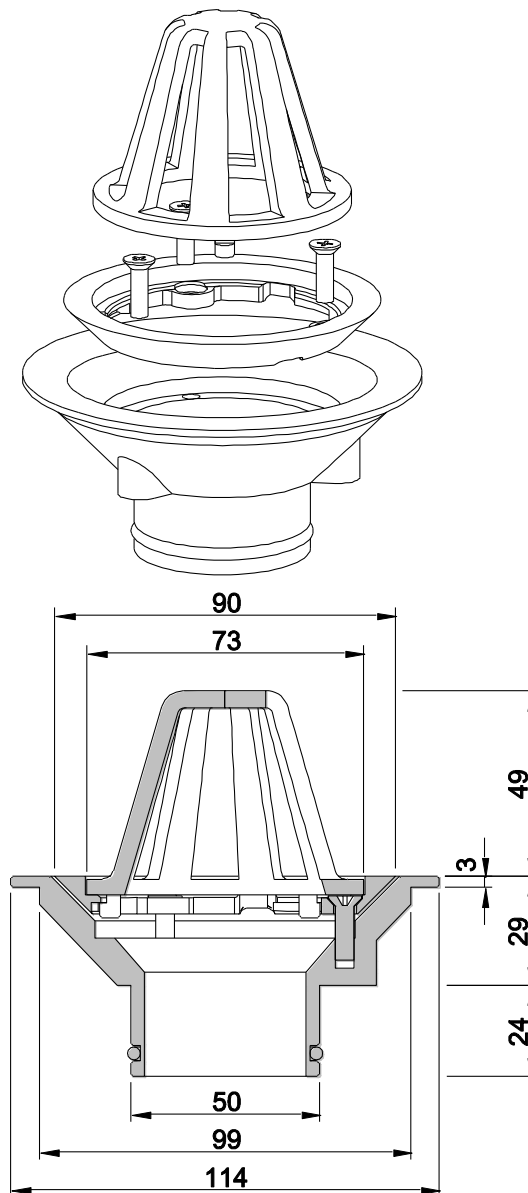


ALLPROOF INDUSTRIES DOMED GUTTER CLAMP RING DRAIN 50MM MEMBRANE FINISH GUTTER OUTLET

Independent Flow Rate Test (Branz): 103 litres/minute under 50mm head of water

Specification Code	Description	Standard Finish
168.50DCR	50mm Domed Gutter drain including bronze base flange, clamp ring and dome	Cast Bronze clamp ring and dome



Due to Allproof Industries ongoing product development program product designs may be changed without notice