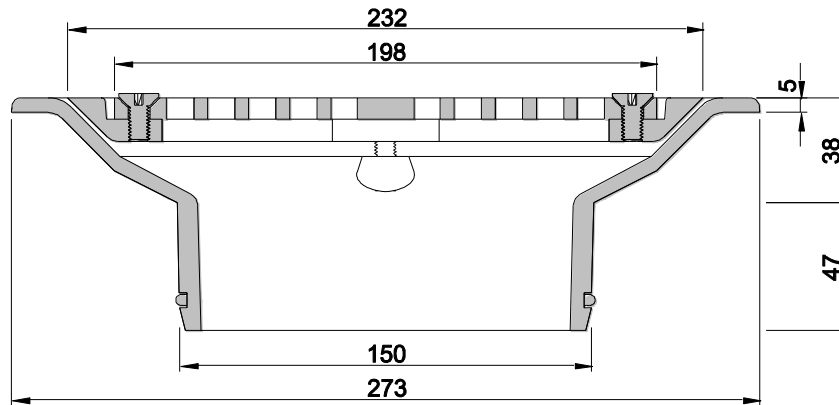
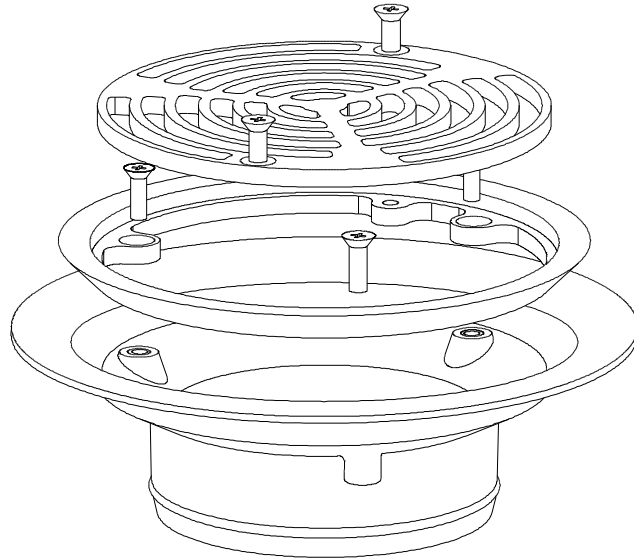


ALLPROOF INDUSTRIES FLAT GRATE ROOF CLAMP RING DRAIN 150MM MEMBRANE FINISH ROOF OUTLET

Independent Flow Rate Test (Branz): 418 litres/minute under 50mm head of water

Specification Code	Description	Standard Finish
168.150FCR	150mm Flat Grate Roof drain including bronze base flange, clamp ring and grate	Cast Bronze clamp ring and grate



Due to Allproof Industries ongoing product development program product designs may be changed without notice