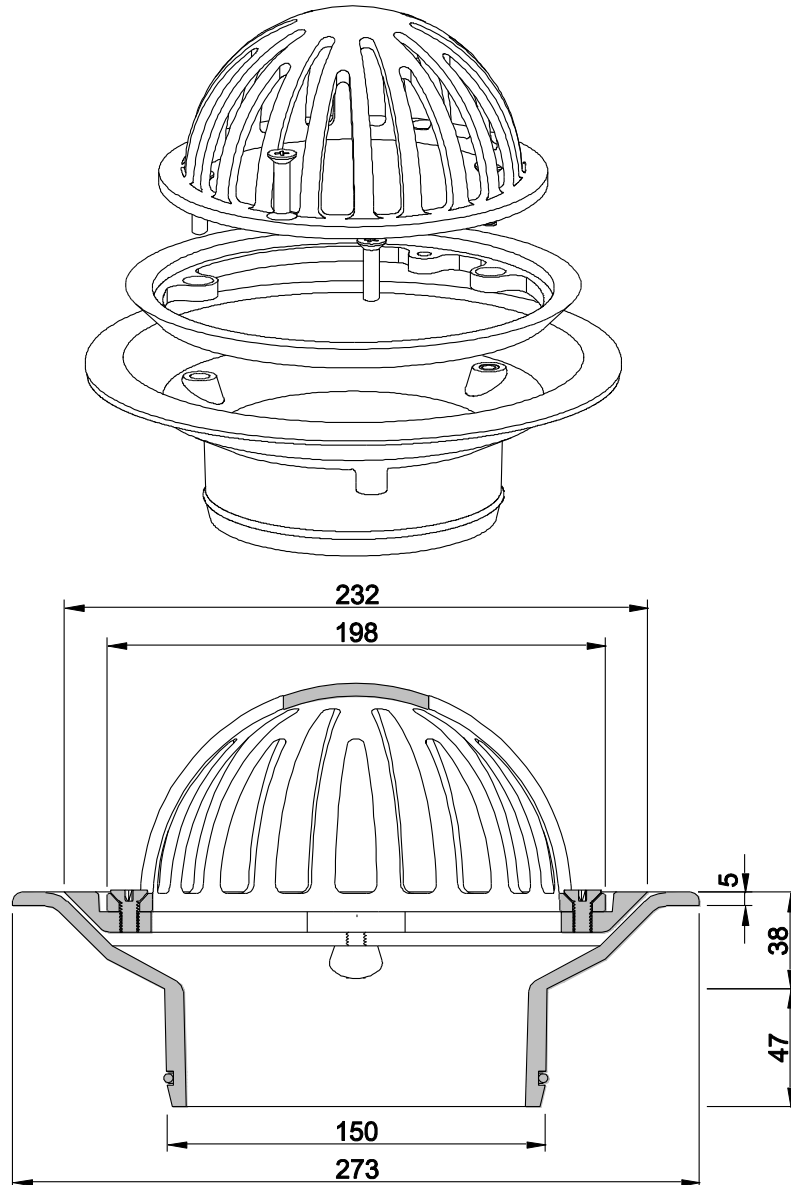


**ALLPROOF INDUSTRIES DOMED ROOF CLAMP RING DRAIN
150MM MEMBRANE FINISH ROOF OUTLET**

Independent Flow Rate Test (Branz): 298 litres/minute under 50mm head of water

| Specification Code | Description | Standard Finish |
|--------------------|--|---------------------------------|
| 168.150DRCR | 150mm Domed Roof drain including bronze base flange, clamp ring and dome | Cast Bronze clamp ring and dome |



Due to Allproof Industries ongoing product development program product designs may be changed without notice