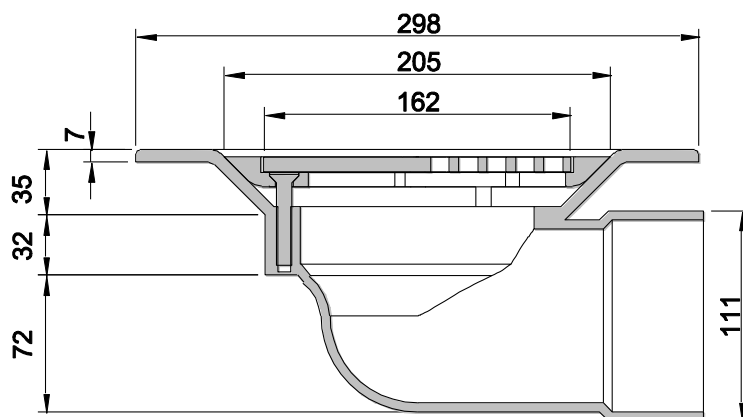
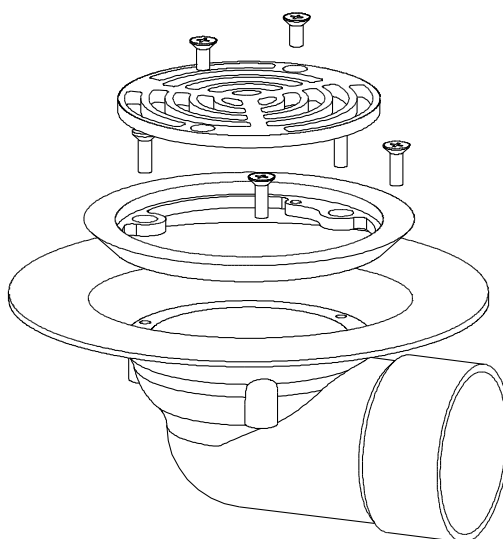


ALLPROOF INDUSTRIES FLAT GRATE ROOF CLAMP RING DRAIN 100MM MEMBRANE FINISH ROOF OUTLET

Independent Flow Rate Test (Branz): 217 litres/minute under 50mm head of water

Specification Code	Description	Standard Finish
168.100FCR90°	100mm Flat Grate Roof drain including bronze base flange, 90° Outlet, clamp ring and grate	Cast Bronze clamp ring and grate



Due to Allproof Industries ongoing product development program product designs may be changed without notice