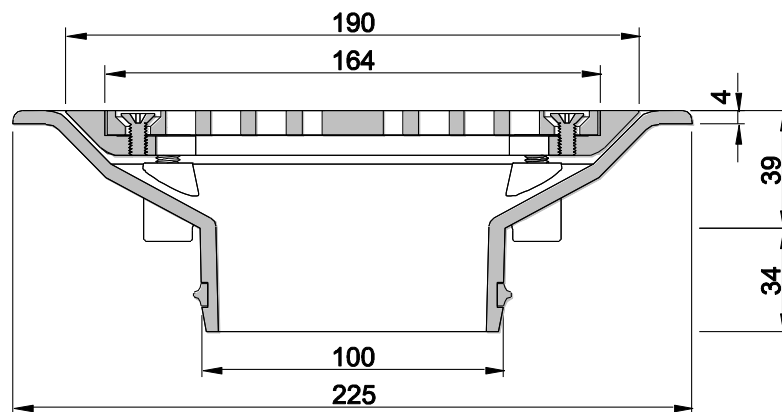
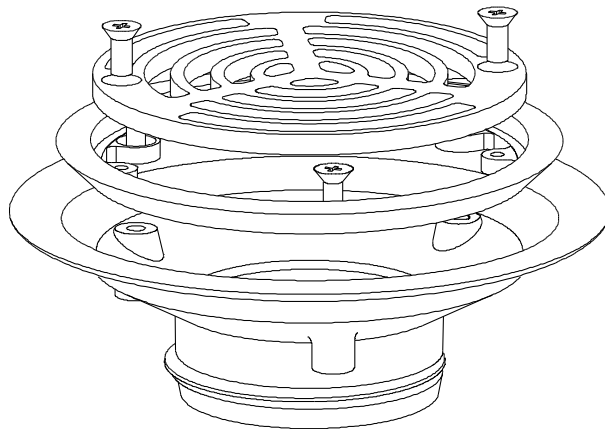


ALLPROOF INDUSTRIES FLAT GRATE ROOF CLAMP RING DRAIN 100MM MEMBRANE FINISH ROOF OUTLET

Independent Flow Rate Test (Branz): 217 litres/minute under 50mm head of water

Specification Code	Description	Standard Finish
168.100FCR	100mm Flat Grate Roof drain including bronze base flange clamp ring and grate	Cast Bronze clamp ring and grate



Due to Allproof Industries ongoing product development program product designs may be changed without notice