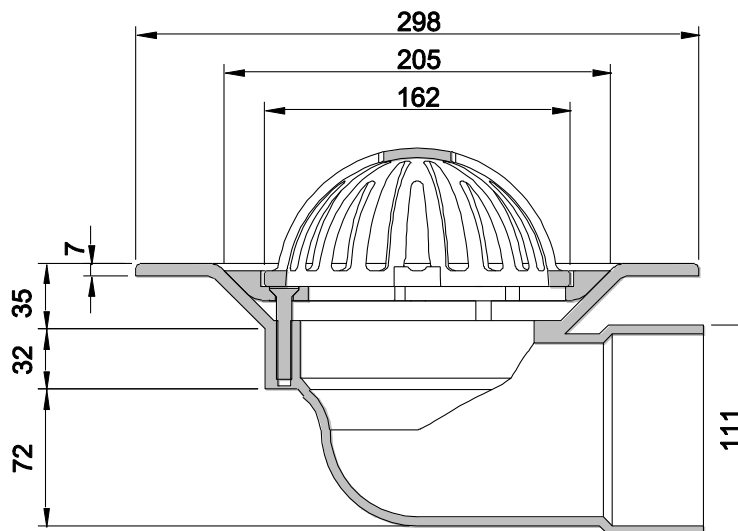
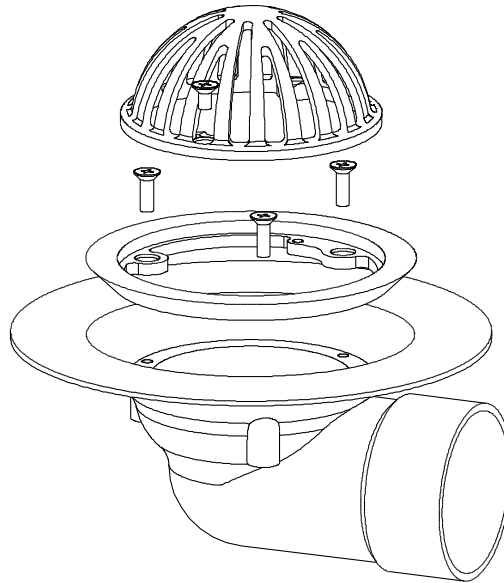


ALLPROOF INDUSTRIES DOMED ROOF CLAMP RING DRAIN 100MM MEMBRANE FINISH ROOF OUTLET

Independent Flow Rate Test (Branz): 285 litres/minute under 50mm head of water

Specification Code	Description	Standard Finish
168.100DRCR90°	100mm Domed Roof drain including bronze flange, 90° Outlet, clamp ring and dome	Cast Bronze clamp ring and dome



Due to Allproof Industries ongoing product development program product designs may be changed without notice