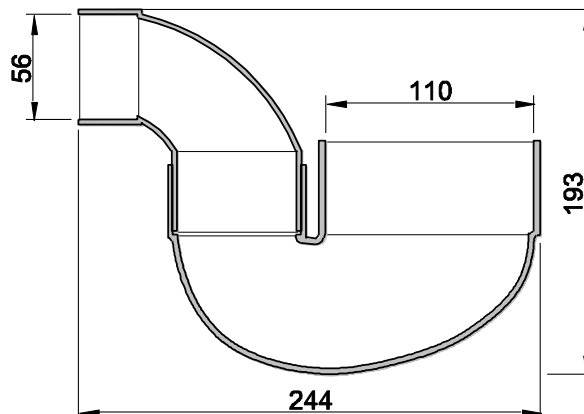
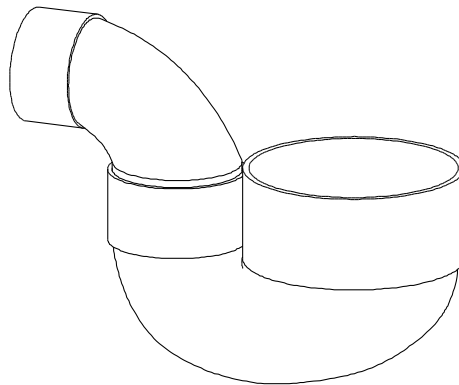


ALLPROOF INDUSTRIES 100MM X 50MM FLOOR WASTE GULLY

Specification Code	Description	Standard Finish
FWG100.50	100mm x 50mm Floor Waste Gully	PVC



Due to Allproof Industries ongoing product development program product designs may be changed without notice