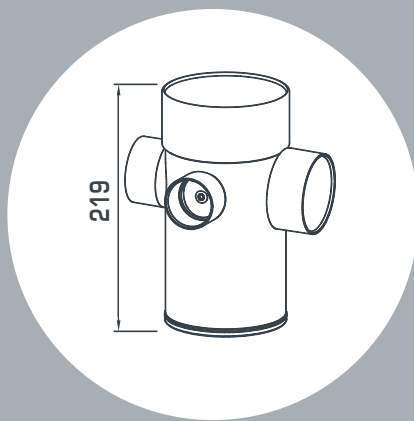


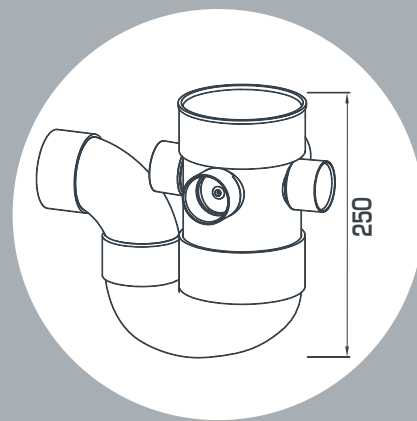
# BOSS GULLY



When space is an issue.



ALLPROOF SQUAT FLOOR WASTE  
GULLY & BOSS JUNCTION IN ONE



STANDARD FLOOR WASTE  
GULLY & FOUR WAY RISER SYSTEM



**WaterMark**  
WMKT21223  
ATS5200.040

**ALLPROOF**

**I N D U S T R I E S**

+649 448 5851 info@allproof.co.nz www.allproof.co.nz

# BOSSGULLY

## SQUAT BOSS JUNCTION & FLOOR WASTE GULLY IN ONE

- High quality ABS moulding with PP Access plug
- To suit 100mm floor waste for easy accessibility
- Solvent cement to PVC pipe work - Simply drill out inlets as required
- 70mm water seal
- 1 x 50mm and 2 x 40mm inlets, and a 65mm outlet
- Manufactured and tested to AS 2887: Plastic Waste Fittings
- Complies with Clause 3.0 Water Traps of NZBC G13 Foul Water
- Watermark Approved License Number WMKT 21223
- When installed, ensure access plug is no further than 400mm from floor level to allow for removal of plug
- Long nose pliers should be used to remove access plug

