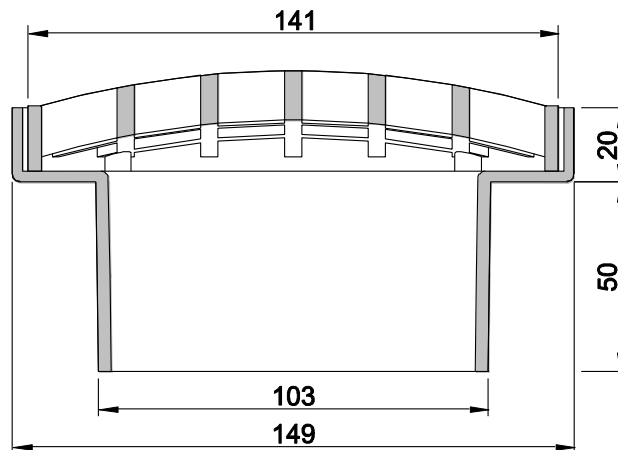
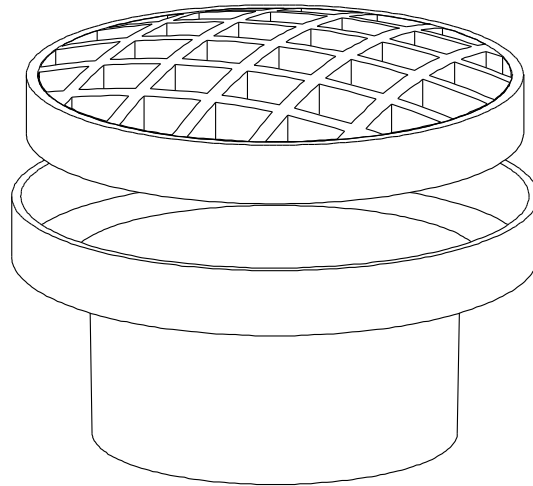


**ALLPROOF INDUSTRIES FINISHING COLLAR AND GRATE**  
**100MM FINISHING COLLAR INSIDE PIPE**

Specification Code	Description	Standard Finish
130.100	100mm finishing collar inside pipe	PVC
151.140	100mm finishing collar flat grate	PVC
152.140	100mm finishing collar domed grate	PVC



Due to Allproof Industries ongoing product development program product designs may be changed without notice