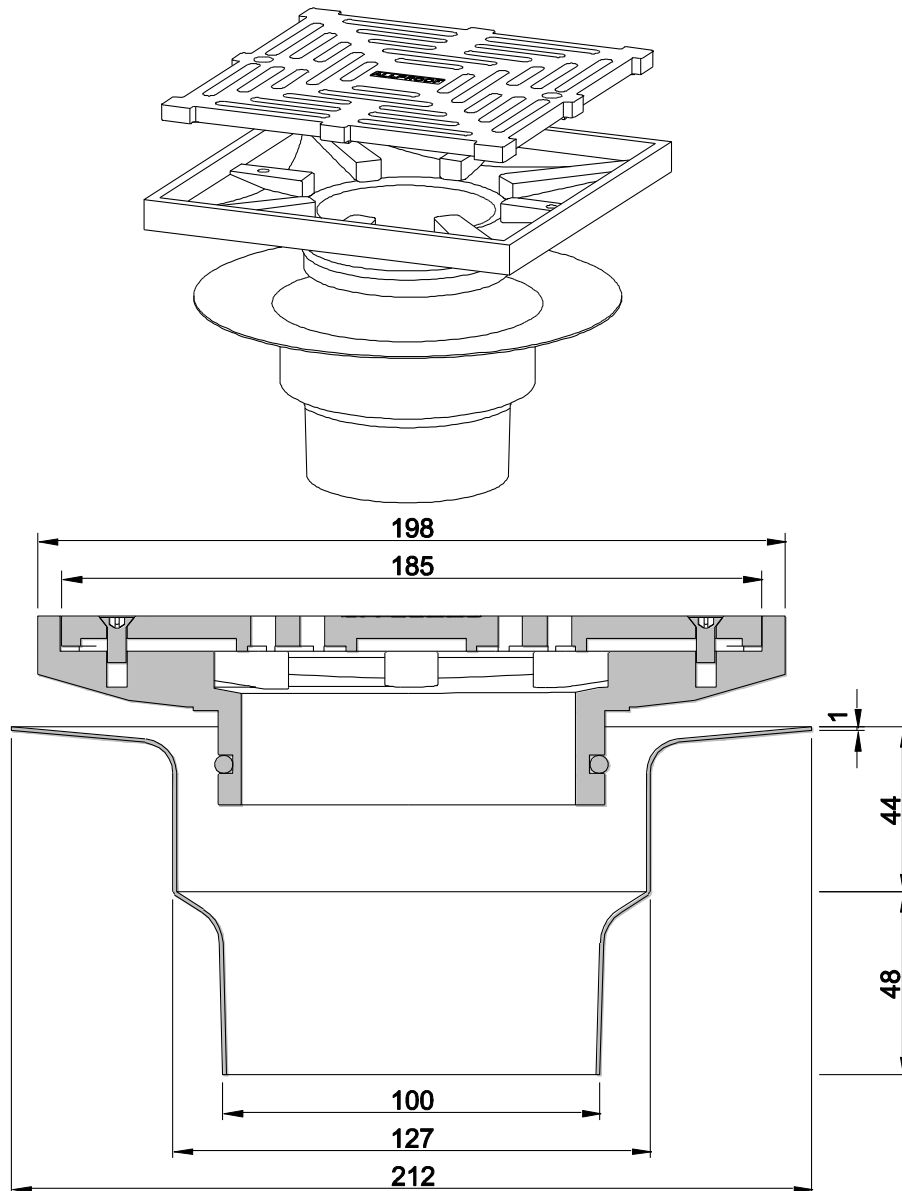


ALLPROOF INDUSTRIES PODIUM/BALCONY WASTE SYSTEM 100MM TILE FINISH COPPER FLANGE AND STORM SERIES GRATE

Independent Flow Rate Test (Branz): 130 litres/minute under 25mm head of water

Specification Code	Description	Standard Finish
LC61 & 168.200.100SB/SNB	100mm Copper leak control flange and square storm series grate	Linished Nickel Bronze/ Linished Bronze
LC61 & 168.200.100RB/RNB	50mm Copper leak control flange and round storm series grate	Linished Nickel Bronze/ Linished Bronze



Due to Allproof Industries ongoing product development program product designs may be changed without notice