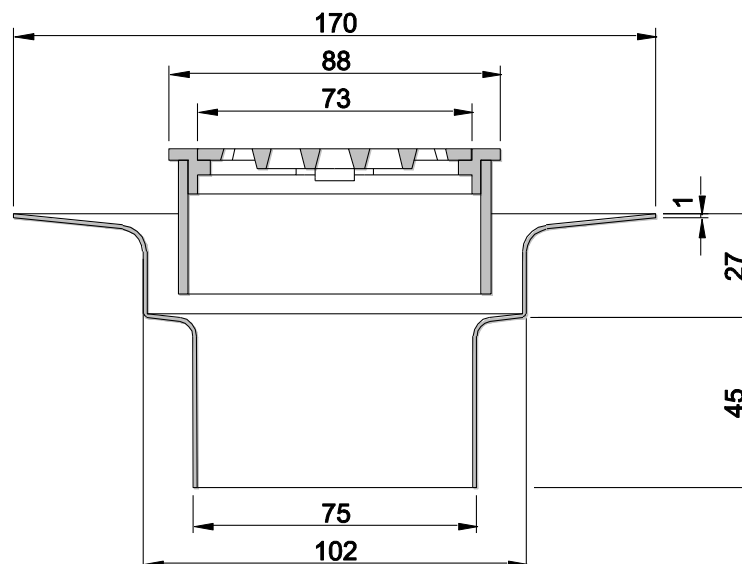
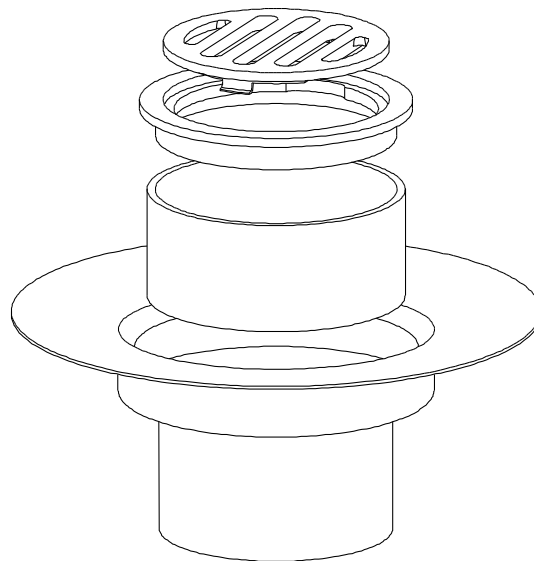


ALLPROOF INDUSTRIES TILE FLOOR/BALCONY WASTE SYSTEM 80MM TILE FINISH COPPER FLANGE AND FLOOR GRATE

Independent Flow Rate Test (Branz): 38 litres/minute under 25mm head of water

Specification Code	Description	Standard Finish
LC51 & 168.80SCPT	80mm Copper leak control flange and square height adjustable floor grate	Square Chrome on Brass
LC51 & 168.80RCPT	80mm Copper leak control flange and round height adjustable floor grate	Round Chrome on Brass



Due to Allproof Industries ongoing product development program product designs may be changed without notice