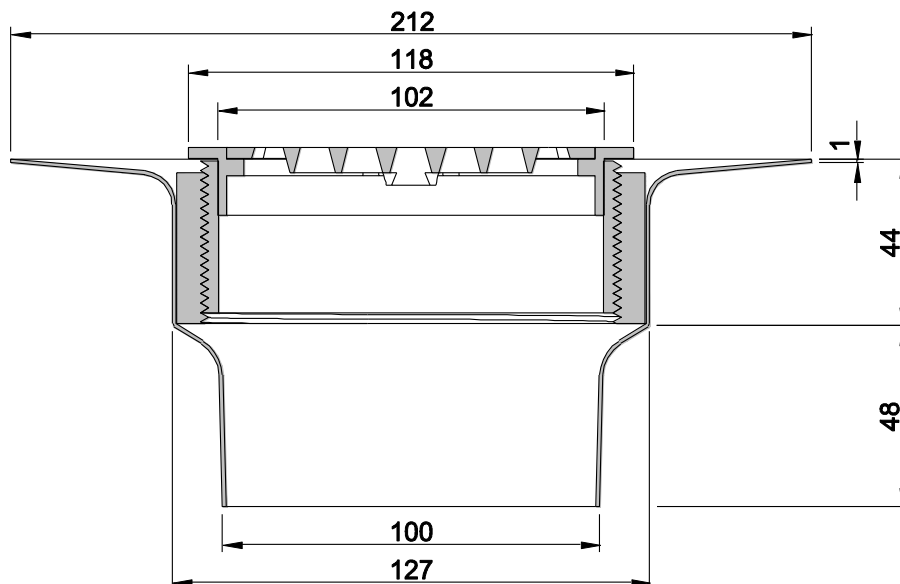
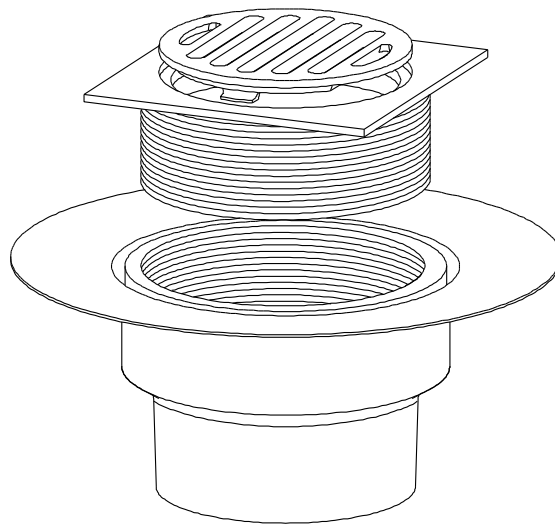


**ALLPROOF INDUSTRIES COPPER TILE FLOOR WASTE SYSTEM  
100MM TILE FINISH THREADED COPPER FLANGE AND FLOOR GRATE**

Independent Flow Rate Test (Branz): 80 litres/minute under 25mm head of water

Specification Code	Description	Standard Finish
CUTFW100SC	100mm Copper leak control flange and square height adjustable floor grate	Square Chrome on Brass
CUTFW100RC	100mm Copper leak control flange and round height adjustable floor grate	Round Chrome on Brass



Due to Allproof Industries ongoing product development program product designs may be changed without notice