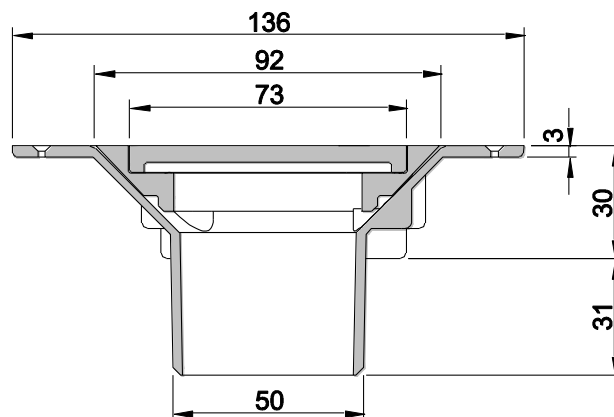
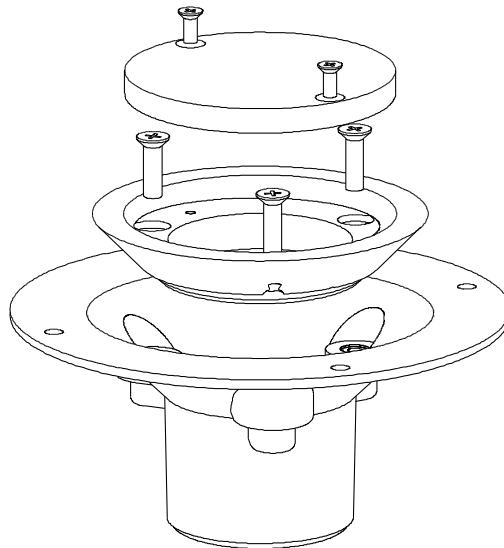


ALLPROOF INDUSTRIES VINYLRITE CLEAN OUT 50MM VINYL/MEMBRANE FINISH INSPECTION

Specification Code	Description	Standard Finish
VR50CO CP	50mm VinylRite Clean Out including PVC base flange, clamp ring and lid	Chrome on Bronze clamp ring and lid
VR50CO BR	50mm VinylRite Clean Out including PVC base flange, clamp ring and lid	Machined Bronze clamp ring and lid
VR50CO NB	50mm VinylRite Clean Out including PVC base flange, clamp ring and lid	Machined Nickel Bronze clamp ring and lid



Due to Allproof Industries ongoing product development program product designs may be changed without notice