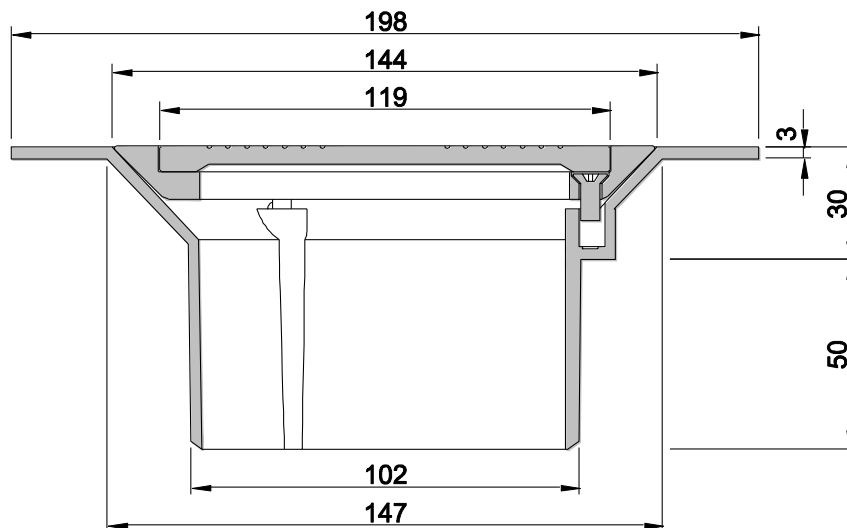
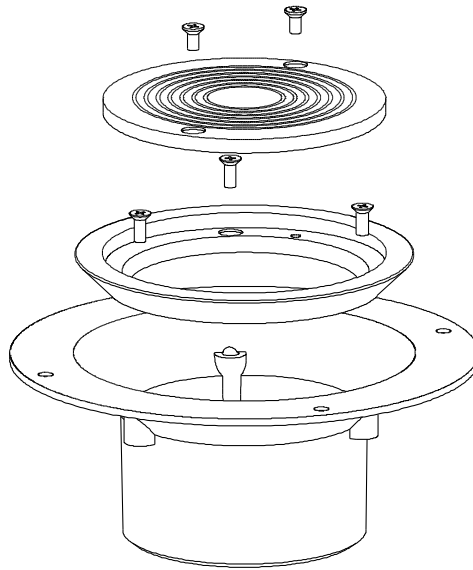


ALLPROOF INDUSTRIES VINYLRITE CLEAN OUT 100MM VINYL/MEMBRANE FINISH INSPECTION

| Specification Code | Description | Standard Finish |
|--------------------|---|---|
| VR100CO CP | 100mm VinylRite Clean Out including PVC base flange, clamp ring and lid | Chrome on Bronze clamp ring and lid |
| VR100CO BR | 100mm VinylRite Clean Out including PVC base flange, clamp ring and lid | Machined Bronze clamp ring and lid |
| VR100CO NB | 100mm VinylRite Clean Out including PVC base flange, clamp ring and lid | Machined Nickel Bronze clamp ring and lid |



Due to Allproof Industries ongoing product development program product designs may be changed without notice