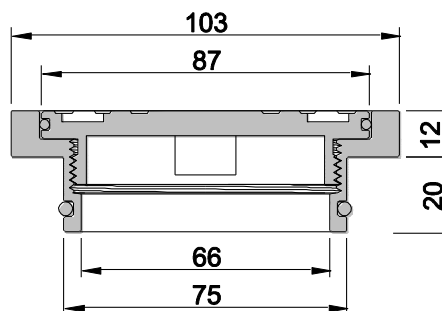
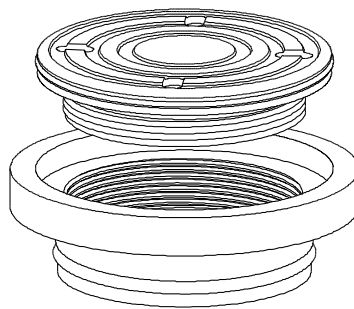


ALLPROOF INDUSTRIES BRONZE CLEAN OUT 80MM CONCRETE/TILE FINISH INSPECTION

| Specification Code | Description | Standard Finish |
|--------------------|---|------------------------|
| 168.80BCO | 80mm cast bronze clean out including o-ring seal | Machined bronze |
| 168.80BCO CP | 80mm chrome plated cast bronze clean out including o-ring seal | Chrome on bronze |
| 168.80BCO NB | 80mm chrome plated cast nickel bronze clean out including o-ring seal | Machined Nickel bronze |



Due to Allproof Industries ongoing product development program product designs may be changed without notice