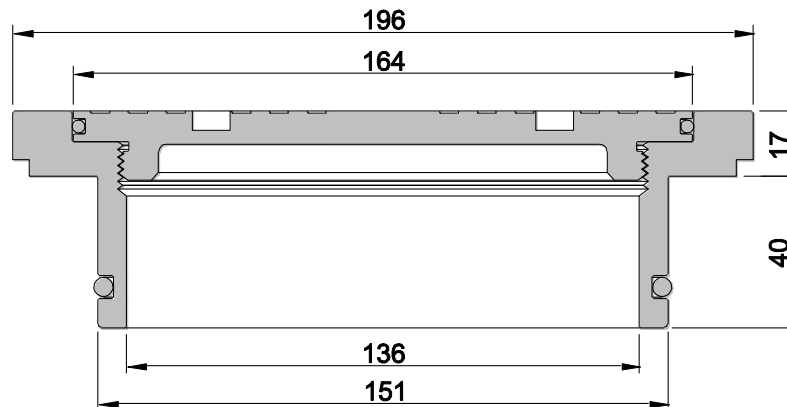
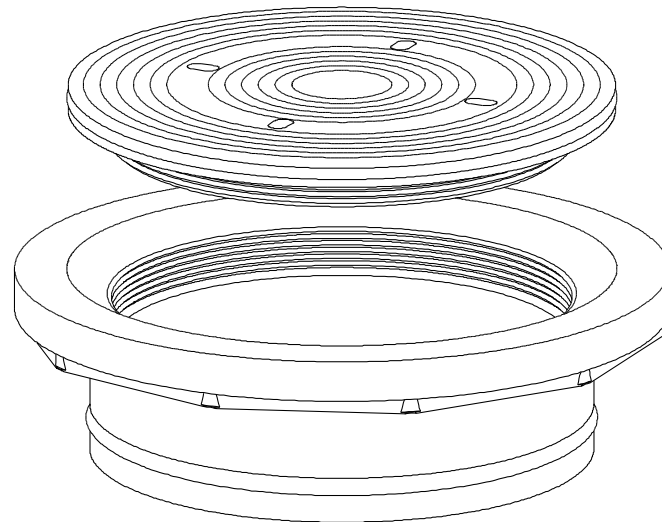


ALLPROOF INDUSTRIES BRONZE CLEAN OUT 150MM CONCRETE/TILE FINISH INSPECTION

Specification Code	Description	Standard Finish
168.150BCO	150mm cast bronze clean out including o-ring seal	Machined bronze
168.150BCO CP	150mm chrome plated cast bronze clean out including o-ring seal	Chrome on bronze
168.150BCO NB	150mm chrome plated cast nickel bronze clean out including o-ring seal	Machined Nickel bronze



Due to Allproof Industries ongoing product development program product designs may be changed without notice