

ALLPROOF INDUSTRIES

Bronze Clean Out

Concrete/Tile or Vinyl Finish Inspection

Features

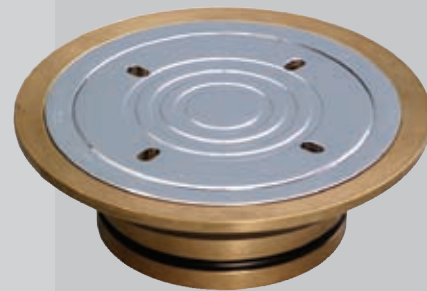
- Bronze body spigot fits inside pipe riser with o-ring seal
- O-ring seal on lid to eliminate odours
- Tile Suit pipe size 80mm, 100mm and 150mm
- Vinyl Suit pipe size 80mm and 100mm
- Anti-slip grooves on lid
- Finish Options: Machined Bronze, Machined Nickel Bronze, Chrome on Bronze
- Security screw option



Product Code Guide

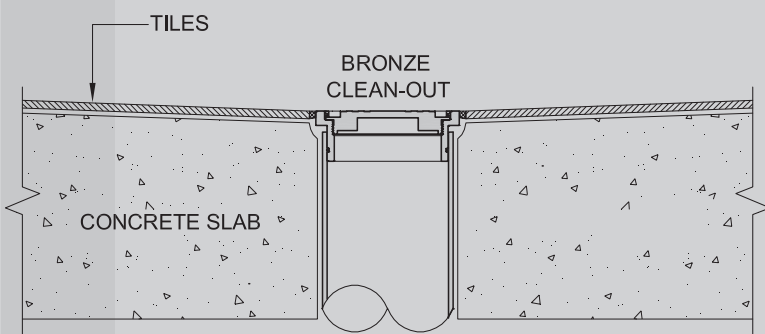
TILE: 168.PIPE SIZE BCO = Bronze
NBCO = Nickel Bronze CP = Chrome Plate

VINYL: 168. PIPE SIZE VCO = Bronze
VCO NB = Nickel Bronze VCO CP = Chrome Plate

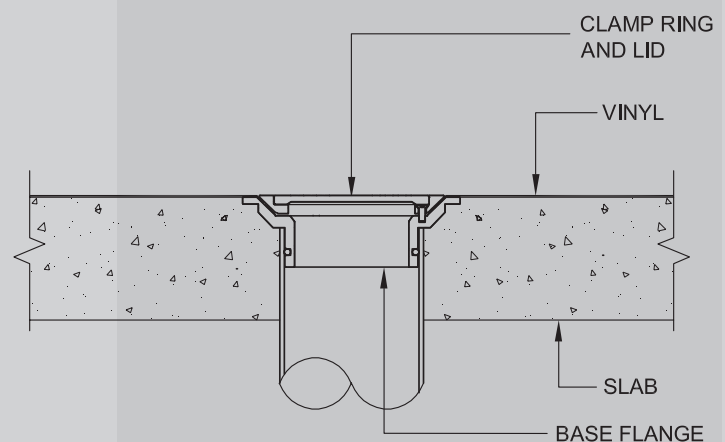


Typical Installation Details

01. Tile/Concrete



02. Vinyl



ALLPROOF
INDUSTRIES