

# Allproof Custom - Vinyl Clamp Channel

Merchant Quote / Order Form - please complete and return.

Contact Details	Merchant	
	Merchant Contact	
	Project Name	
	Project City	
	Company	
	Name	
	Phone	
	Fax	
	E-Mail	
	Address	

	Name/#	Date
Enquiry received by		
Our quote reference		
Our sales order #		
Our purchase order #		
Inwards Check		

Internal Use

# ALLPROOF

I N D U S T R I E S

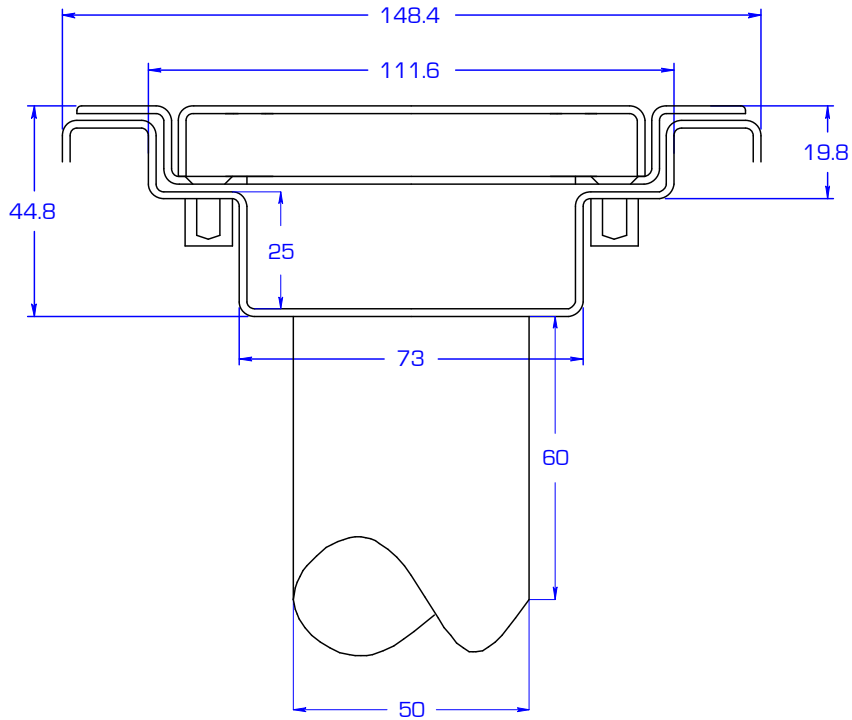
9d Piermark Drive, Albany, Auckland, New Zealand

Ph - +64 9 481 8020 Fx - +64 481 8021

www.allproof.co.nz - info@allproof.co.nz

Measurements

Grate Style	<input type="checkbox"/> LAS (Perf) <input type="checkbox"/> A (Wedgewire)
A - Channel Length (OD)	mm
<p>Most dimensions of the vinyl clamp system are set. Simply provide us with the total overall length required and we will figure out the rest. Grates will be supplied to fit.</p>	

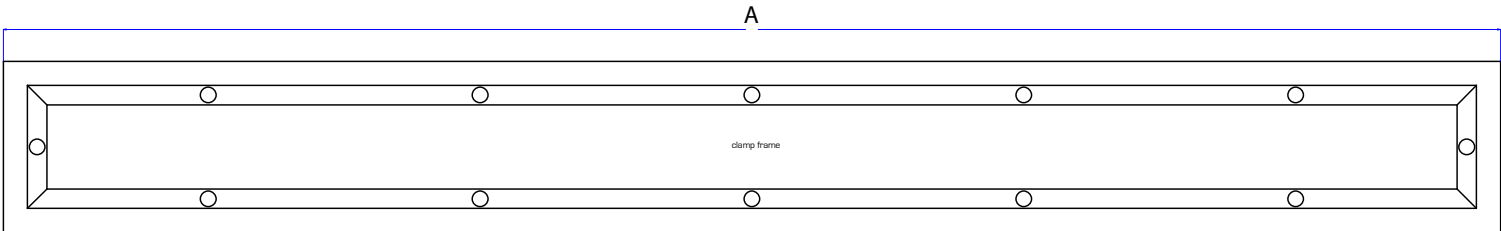


Comments

Please fill in as much detail as available

Customer Approval (Please check details)	Please Sign
Purchase Order #	

Please note:  
Custom manufactured items may not be returned for credit.  
Please check the details are correct before approving quote.



**ALLPROOF**  
INDUSTRIES  
9d Piermark Drive, Albany, Auckland, New Zealand  
Ph - +64 9 481 8020 Fx - +64 481 8021  
info@allproof.co.nz