

POLYMER
CONCRETE

Commercial Linear Drainage Channel
The PC Range from **ALLPROOF**
INDUSTRIES

pc range commercial linear drainage

Allproof Industries PC Range utilises polymers to supplement cement as the binder material, this creates a durable product that is highly resistant to a wide variety of chemicals and has extremely low permeability, making it excellent for commercial linear drainage installation. Our commercial linear drainage is the ideal solution to all heavy duty channel requirements. Available in a range of sizes and grate options, and available rated from load class A to E.



All Polycrete Channels come with lockdown bars, bolts and washers. Bolt Head will differ depending on grate used. Bars twist into place locating into pre-formed slots.

load classes

Load Class A	Load Class B	Load Class C	Load Class D	Load Class E
Pedestrian	Light Vehicle	Light Commercial	Heavy Commercial	Extra Heavy
330Kg Wheel Load	2670Kg Wheel Load	5000Kg Wheel Load	8000Kg Wheel Load	13700Kg Wheel Load
10kN Ultimate Load Design	80kN Ultimate Load Design	150kN Ultimate Load Design	210kN Ultimate Load Design	400kN Ultimate Load Design



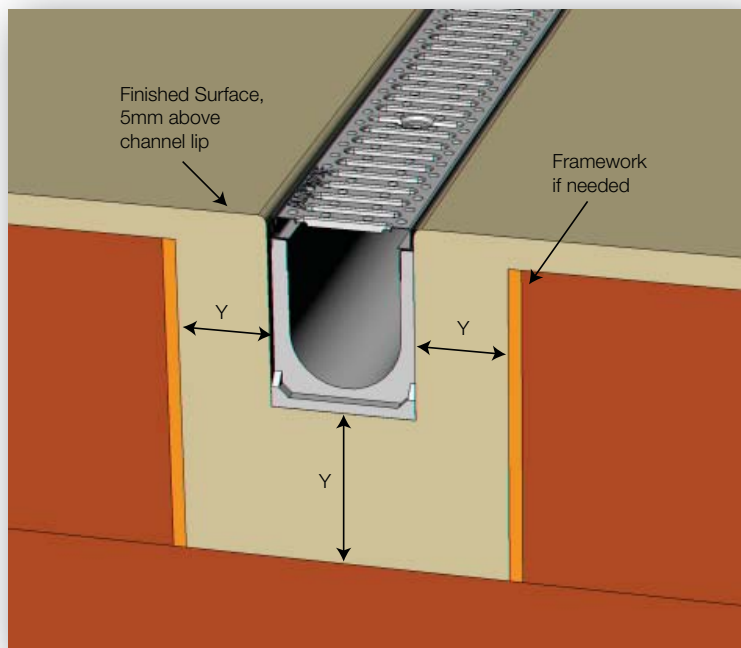
install

Install sump first. Connect and seal outlet plumbing. Working away from the outlet, utilise screed to bed in channel on bottom of trench prior to pouring concrete. Ensure correct lines using a string line or similar.

It is important to support the channel from the weight of the setting concrete by having either the original grates, or appropriate bracing in place.

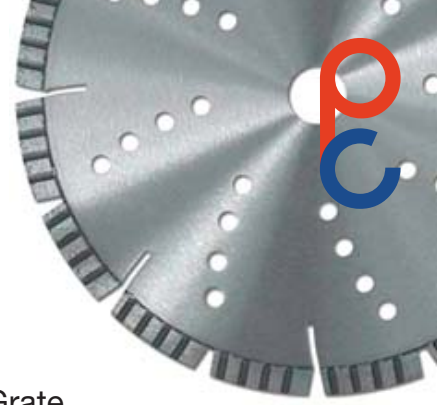
Protect grates from concrete contamination during installation by wrapping in plastic or masking tape. Alternatively, wooden sections (such as bracing) may be used.

Make sure concrete is poured evenly to avoid shifting the channels during installation. We suggest that a primary pour is made to just above the bottom of the channel, left to set, then a second pour made to complete the surround.



Minimum Concrete Surround Dimensions	
Load Class	y
A-B	100mm
C-D	150mm
E	200mm

Some applications may require an increase in these dimensions and reinforcement. Engineering advice is advised, and it is the customers responsibility to ensure correct design of the installation.



Cutting PC Channel & Grate

On site mitre cuts are used to form corners, junctions and irregular lengths.

Channels are cut with a masonry or diamond saw, grates are best cut with a band saw and suitable blade.

While mitred grates can be used, it is not suggested for heavy loads - in this case, tee joints are the better option.

Pipe holes are best cut using an appropriately sized holesaw - do not hammer directly onto material - damage to the channel will occur!

Joints can be sealed with suitable flexible sealant.



straight lengths

GS/SS	Galv or 304 Stainless Steel Grate
Class A	Pedestrian



A	316 Stainless Steel Wedgewire
Class A	Pedestrian - Heelproof



CODE	DESCRIPTION
PC75GS	75mm Polcrete GS Edge GS Grate
PC125GS	125mm Polcrete GS Edge GS Grate
PC175GS	175mm Polcrete GS Edge GS Grate
PC225GS	225mm Polcrete GS Edge GS Grate
PC125SS	125mm Polcrete SS Edge SS Grate
PC175SS	175mm Polcrete SS Edge SS Grate
PC225SS	225mm Polcrete SS Edge SS Grate

CODE	DESCRIPTION
PC75SSA	75mm Polcrete SS Edge Wedgewire Grate
PC125SSA	125mm Polcrete SS Edge Wedgewire Grate
PC175SSA	175mm Polcrete SS Edge Wedgewire Grate
PC225SSA	225mm Polcrete SS Edge Wedgewire Grate

LAS	304 Stainless Steel Laser Grate
Class B	Light Vehicle - Heelproof



LAD	304 Stainless Steel Ladder Grate
Class C	Light Commercial



CODE	DESCRIPTION
PC75SSLAS	75mm Polcrete SS Edge LAS 304 SS Grate
PC125SSLAS	125mm Polcrete SS Edge LAS 304 SS Grate
PC175SSLAS	175mm Polcrete SS Edge LAS 304 SS Grate
PC225SSLAS	225mm Polcrete SS Edge LAS 304 SS Grate
PC125SSLAS316	125mm Polcrete SS Edge LAS 316 SS Grate
PC175SSLAS316	175mm Polcrete SS Edge LAS 316 SS Grate
PC225SSLAS316	225mm Polcrete SS Edge LAS 316 SS Grate

CODE	DESCRIPTION
PC75SSLAD	75mm Polcrete SS Edge SS Ladder Grate
PC125SSLAD	125mm Polcrete SS Edge SS Ladder Grate
PC175SSLAD	175mm Polcrete SS Edge SS Ladder Grate
PC225SSLAD	225mm Polcrete SS Edge SS Ladder Grate

CI	Cast Iron Grates - Regular Gap
Class E	Extra Heavy



CI	Cast Iron Grates - Fine Gap
Class E	Extra Heavy - - Heelproof



CODE	DESCRIPTION
PC75CI	75mm Polcrete GS Edge CI Grate
PC125CI	125mm Polcrete GS Edge CI Grate
PC175CI	175mm Polcrete GS Edge CI Grate
PC225CI	225mm Polcrete GS Edge CI Grate
PC125SSCI	125mm Polcrete GS Edge CI Grate
PC175SSCI	175mm Polcrete GS Edge CI Grate
PC225SSCI	225mm Polcrete GS Edge CI Grate

CODE	DESCRIPTION
PC75HCI	75mm Polcrete GS Edge Heel Proof CI Grate
PC125HCI	125mm Polcrete GS Edge Heel Proof CI Grate
PC175HCI	175mm Polcrete GS Edge Heel Proof CI Grate
PC225HCI	225mm Polcrete GS Edge Heel Proof CI Grate
PC125SSHCI	125mm Polcrete GS Edge Heel Proof CI Grate
PC175SSHCI	175mm Polcrete GS Edge Heel Proof CI Grate
PC225SSHCI	225mm Polcrete GS Edge Heel Proof CI Grate

CODE	Sloped Joiners - required every 10 flat lengths
Class A/D	Dependent on grate used



125mm to 175mm Sloped Joiners

PC125-175CI	125-175mm GS Edge CI Grate
PC125-175GCSL	125-175mm GS Centre Slot
PC125-175GOSL	125-175mm GS Offset Slot
PC125-175GS	125-175mm GS Edge GS Grate
PC125-175SS	125-175mm SS Edge SS Grate
PC125-175SSA	125-175mm SS Edge Wedgewire Grate
PC125-175SSCI	125-175mm SS Edge CI Grate
PC125-175SSLAD	125-175mm SS Edge Ladder Grate
PC125-175SSLAS	125-175mm SS Edge LAS 304 SS Grate
PC125-175SSLAS316	125-175mm SS Edge LAS 316 SS Grate

75mm to 125mm Sloped Joiners

PC75-125CI	75-125mm GS Edge CI Grate
PC75-125GCSL	75-125mm GS Centre Slot
PC75-125GOSL	75-125mm GS Offset Slot
PC75-125GS	75-125mm GS Edge GS Grate
PC75-125SS	75-125mm SS Edge SS Grate
PC75-125SSA	75-125mm SS Edge Wedgewire Grate
PC75-125SSCI	75-125mm SS Edge CI Grate
PC75-125SSLAD	75-125mm SS Edge Ladder Grate
PC75-125SSLAS	75-125mm SS Edge LAS 304 SS Grate
PC75-125SSLAS316	75-125mm SS Edge LAS 316 SS Grate

175mm to 225mm Sloped Joiners

PC175-225CI	175-225mm GS Edge CI Grate
PC175-225GCSL	175-225mm GS Centre Slot
PC175-225GOSL	175-225mm GS Offset Slot
PC175-225GS	175-225mm GS Edge GS Grate
PC175-225SS	175-225mm SS Edge SS Grate
PC175-225SSA	175-225mm SS Edge Wedgewire Grate
PC175-225SSCI	175-225mm SS Edge CI Grate
PC175-225SSLAD	175-225mm SS Edge Ladder Grate
PC175-225SSLAS	175-225mm SS Edge LAS 304 SS Grate
PC175-225SSLAS316	175-225mm SS Edge LAS 316 SS Grate

sloped joiners

CSL	Galv Center Slot Drain
Class D	Heavy Commercial

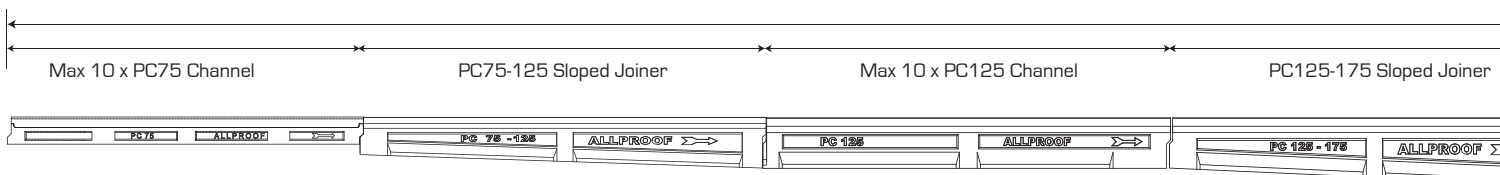
OSL	Galv Offset Slot Drain
Class D	Heavy Commercial



CODE	DESCRIPTION
PC75GCSL	75mm Polcrete GS Centre Slot
PC125GCSL	125mm Polcrete GS Centre Slot
PC175GCSL	175mm Polcrete GS Centre Slot
PC225GCSL	225mm Polcrete GS Centre Slot

CODE	DESCRIPTION
PC75GOSL	75mm Polcrete GS Offset Slot
PC125GOSL	125mm Polcrete GS Offset Slot
PC175GOSL	175mm Polcrete GS Offset Slot
PC225GOSL	225mm Polcrete GS Offset Slot

system example



The system design accommodates runs of up to 43 meters, terminating at a sump. A mirror image can then be run in the opposite direction, resulting in maximum length of 76 meters between sumps. Overall system length is unlimited. This may be reduced dependent on required flow rates or other constraints. We suggest talking to a Hydraulics Consultant with you exact requirements.

inline sump



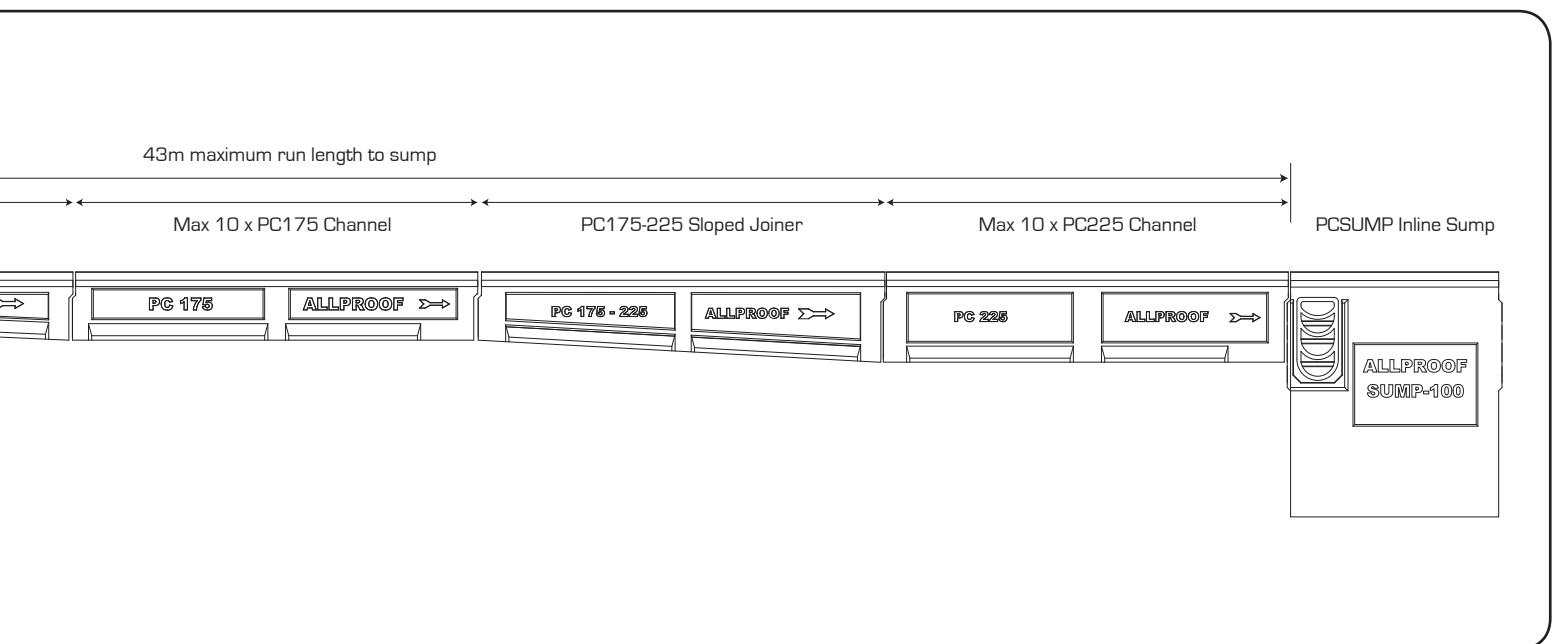
SUMP	600mm Inline Sump
Class A/D	Dependent on grate used

EC	End Caps



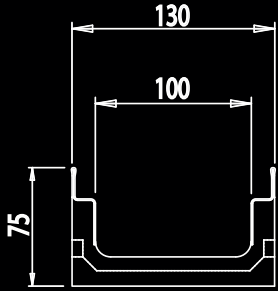
CODE	DESCRIPTION
PCSUMPCI	600mm Polcrete Sump GS Edge CI Grate
PCSUMPGCSL	600mm Polcrete Sump GS Edge Centre Slot
PCSUMPGOSL	600mm Polcrete Sump GS Edge Offset Slot
PCSUMPGS	600mm Polcrete Sump GS Edge GS Grate
PCSUM PSS	600mm Polcrete Sump SS Edge SS Grate
PCSUM PSSA	600mm Polcrete Sump SS Edge Wedgewire Grate
PCSUM PSSCI	600mm Polcrete Sump SS Edge CI Grate
PCSUM PSSLAD	600mm Polcrete Sump SS Edge Ladder Grate
PCSUM PSSLAS	600mm Polcrete Sump SS Edge LAS SS Grate
PCSUM PSSLAS316	600mm Polcrete Sump SS Edge LAS 316 SS Grate

CODE	DESCRIPTION
PC75EC	75mm Polcrete End Cap
PC125EC	125mm Polcrete End Cap
PC175EC	175mm Polcrete End Cap
PC225EC	225mm Polcrete End Cap

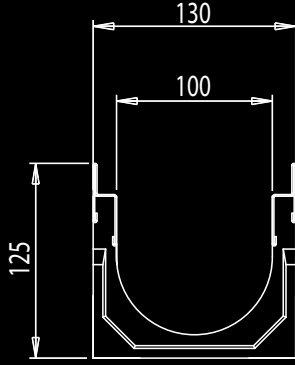


specifications

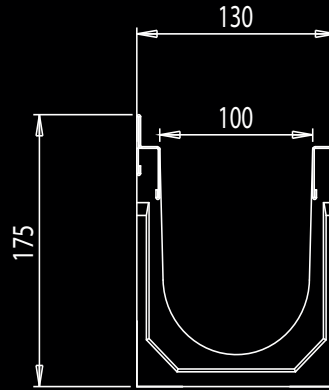
PC75



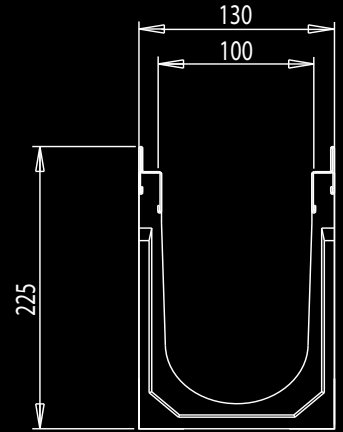
PC125



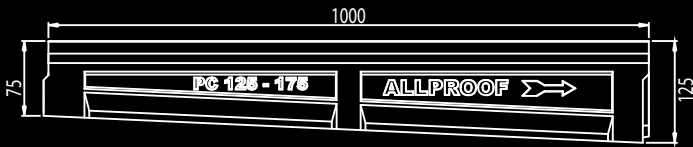
PC175



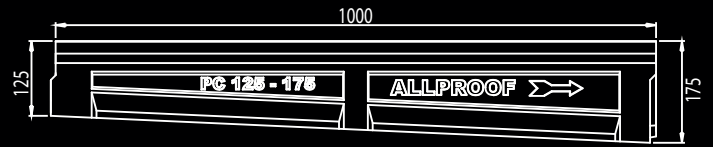
PC225



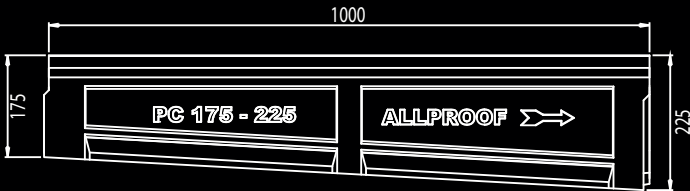
PC75-125



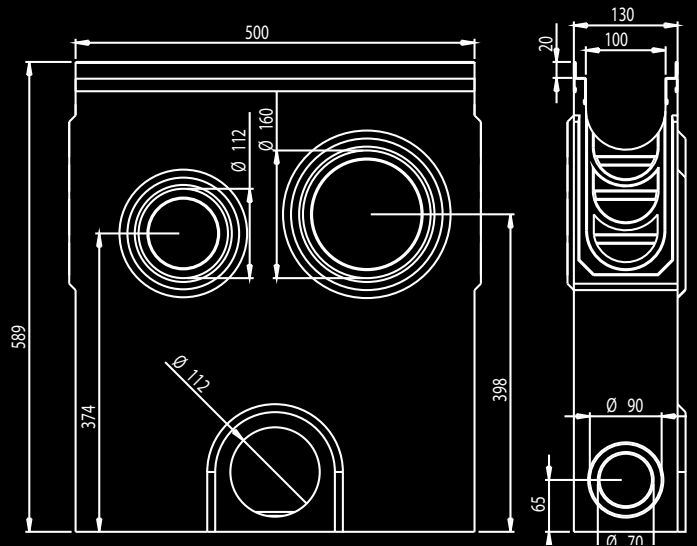
PC125-175



PC175-225



PCSUMP



ALLPROOF
INDUSTRIES

✉ info@allproof.co.nz

🌐 www.allproof.com