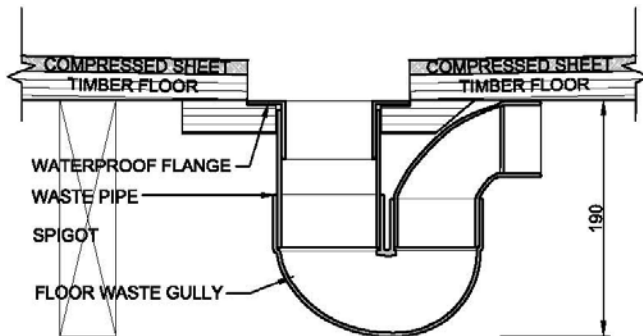


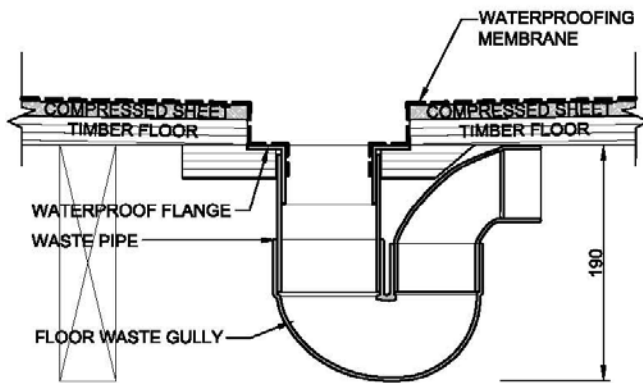
ALLPROOF INDUSTRIES SLIMLINE ARCHITECTURAL CHANNEL SYSTEM TIMBER FLOOR INSTALL



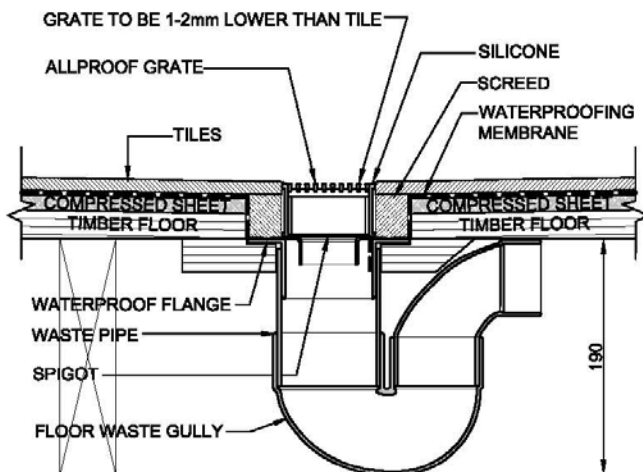
Step One

For 38mm and 65mm channels, the created channel should be made 100mm wide and at a minimum depth of 35mm.

For 100mm channels, the created channel should be made 135mm wide and at a minimum depth of 10mm.



Step Two



Step Three