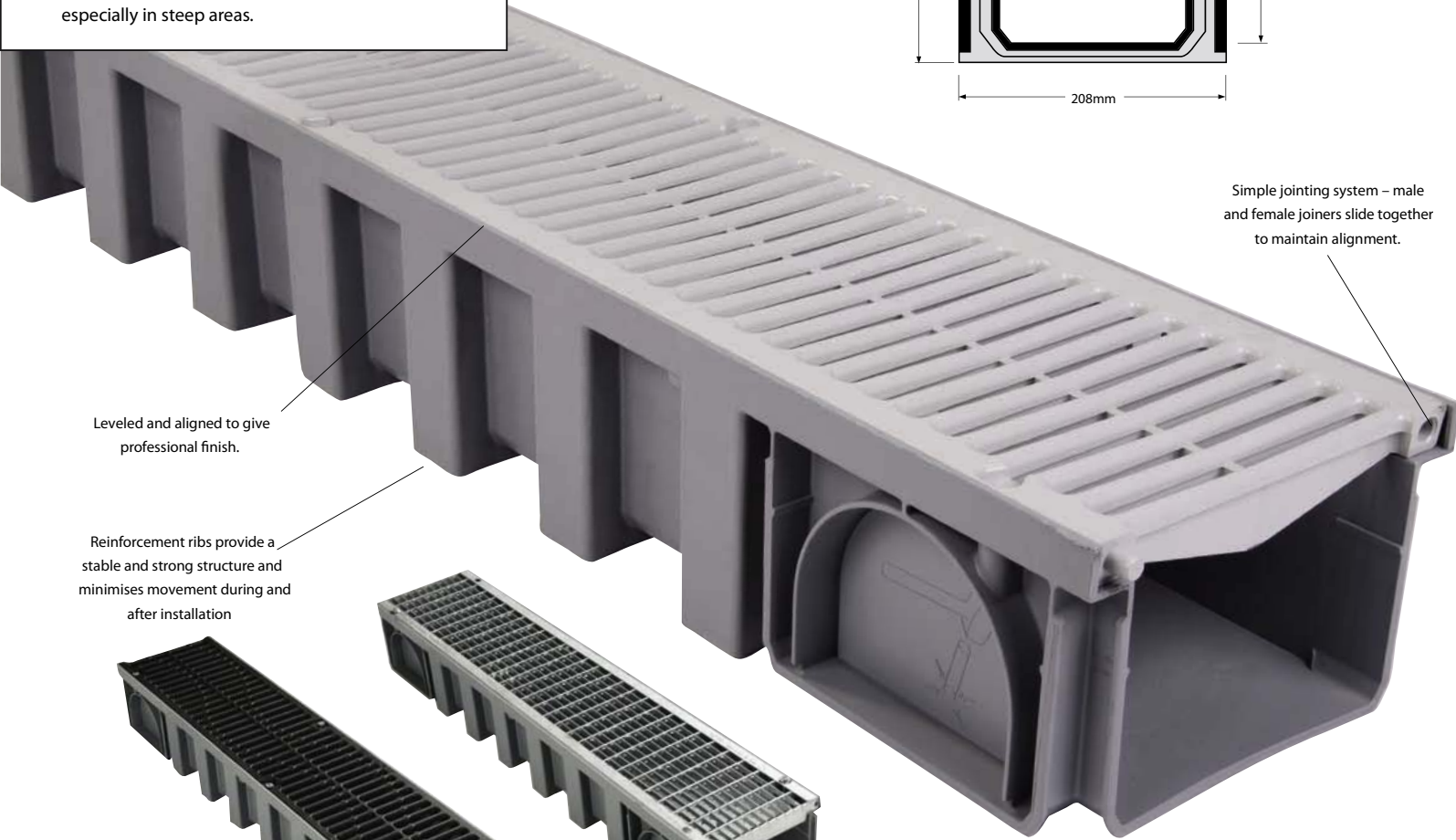
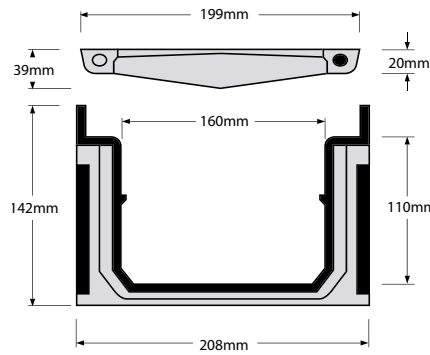


# 200mm Channel System

The 200mm channel and grate is designed as a high capacity system around the home and garden. Its large size makes it ideal for use in areas where large volumes of water need to be drained quickly, especially in steep areas.



Leveled and aligned to give professional finish.

Reinforcement ribs provide a stable and strong structure and minimises movement during and after installation

Simple jointing system – male and female joiners slide together to maintain alignment.

uPVC Standard Grate & Channel



Cast Iron Grate & Channel



Galvanised Steel Grate & Channel

Metal grate options are sold as a complete channel and grate unit

DESCRIPTION	CODE	L	W	H
CHANNEL & GRATE				
Polypropylene Channel 1m	1SDCAN88.1	1000	208	142
uPVC Standard Grate 0.5m	1SDGR88	500	199	39
200mm Channel Cast-Iron Grate 1m	1SDCAN15BF	500	199	20
200mm Channel Galvanised Steel Grate 1m	1SDCAN15BC	1000	199	31
ACCESSORIES	CODE	W	D	H
uPVC End Cap/ End or Lateral Outlet	1SDNA88.1	208	70	147
uPVC Vertical Outlet	1SDSVCAN	140	140	73
Fixing set for 1SDCAN88.1*	1SDFIXCAN2	-	-	-

\*Bag of 10 insert and 10 screws  
Measurements = mm

## ACCESSORIES



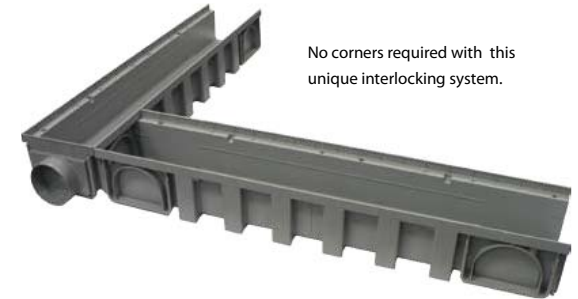
uPVC END CAP



uPVC VERTICAL OUTLET



FIXING SET



No corners required with this unique interlocking system.

# ALLPROOF

INDUSTRIES

17 Bay Park Place, Beach Haven, Auckland  
Office - +64 9 481 8020 - www.allproof.co.nz